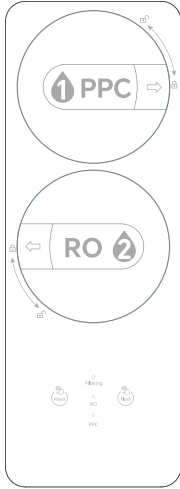


INSTALLATION GUIDE

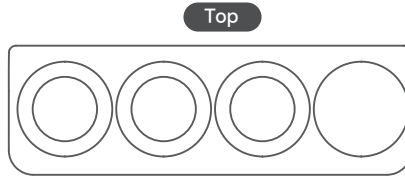
Unbox the water system and inventory all accessories according to the parts list. Familiarize yourself with all components for a swift installation. Any missing or broken, contact Stokk customer service at support@stokkfilter.com.

Parts List



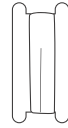
Front

RO System * 1 Set

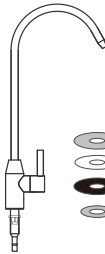


Top

Feed Water Pure Water Waste Water



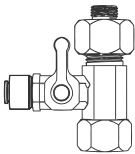
Teflon Tape *1



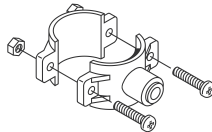
RO Faucet * 1 Set



Quick-Connect Fitting 1/4" * 1



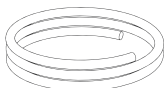
Feed Water Adapter 3/8" and 1/2" * 1



Drain Saddle 1/4" * 1 Set



Lock Clip 1/4" * 15



Red PE Waste Water Tubing 1/4" * 78"



White PE Pure Water Tubing 1/4" * 78"

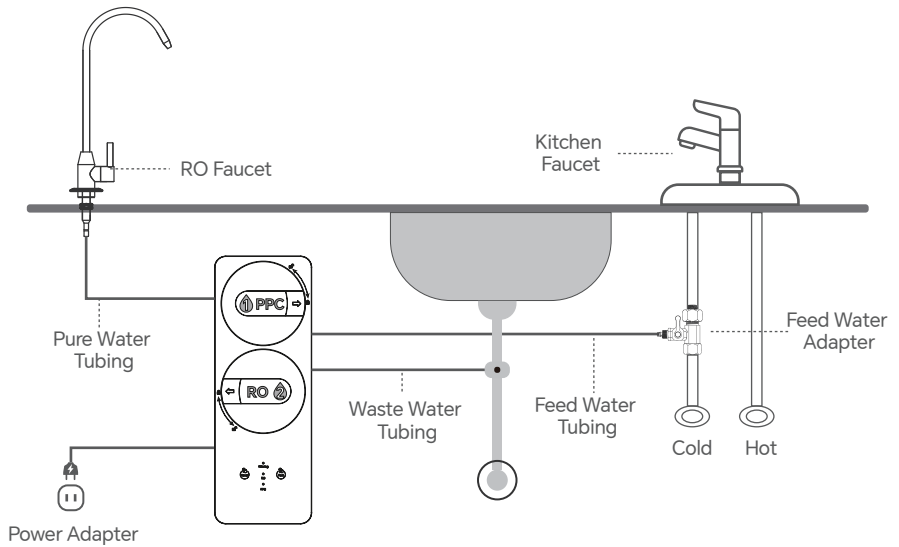


Blue PE Feed Water Tubing 1/4" * 78"

Required Tools

Variable speed drill	Towel
Flashlight	Adjustable wrench or pliers
Utility knife or scissors	Screwdriver
Drill bit: 1/4" (for drain pipe) and 1/2" (for faucet hole)	

Installation Diagram



Step 1. Install The Feed Water Adapter (3/8" or 1/2")

- 1 Shut off water, release pressure by opening kitchen faucet.
- 2 Place towel to prevent leaks, disconnect cold pipe from supply.
- 3 Attach the feed water adapter with supply valve and water pipe and tighten.

NOTE: If the cold-water pipe is 1/2", transfer the adapter to the other side as Figure 2 before proceeding with this step.

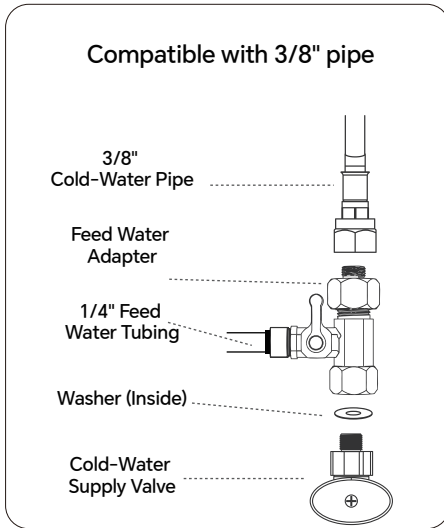


Figure 1

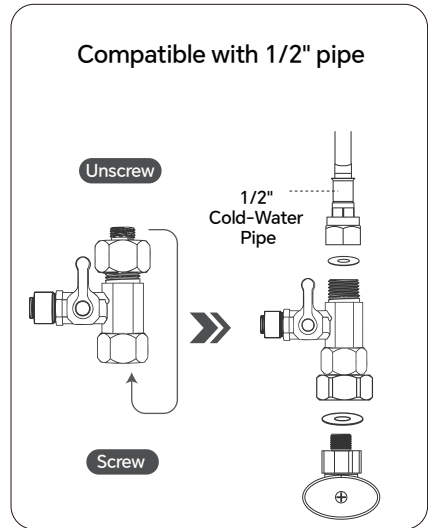
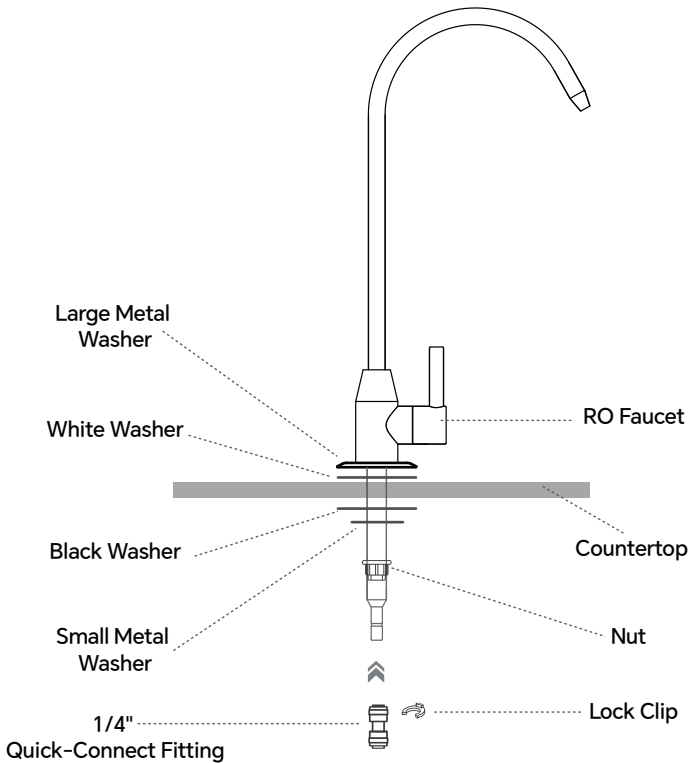


Figure 2

Step 2. Install the RO Faucet

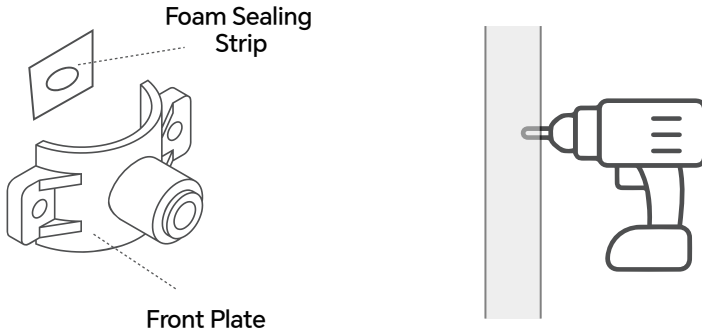
- 1 Insert faucet set as shown in the accompanying picture order secure the faucet.
- 2 Insert the 1/4" quick-connect fitting to the faucet and secure it with lock clip.

NOTE: If there is no hole? Drill a 1/2" hole referring to the "How to Drill a Hole for the RO Faucet" on page 11 of instructions.

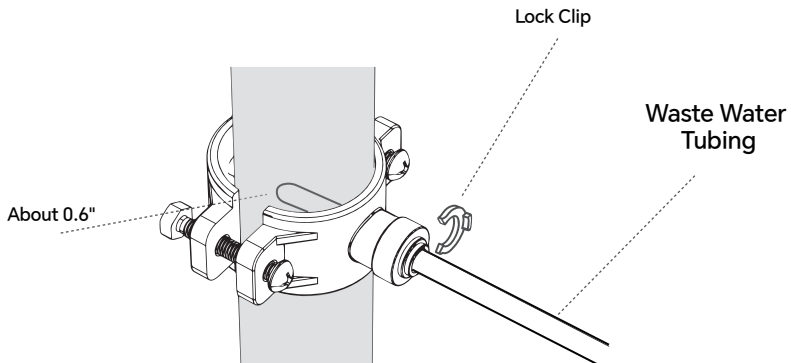


Step 3. Install the Drain Saddle

- 1 Apply foam strip to drain saddle, align holes properly.
- 2 Drill a 1/4" hole on convenient location of the drainage pipe.
NOTE: DO NOT drill through. Install saddle on vertical drainage pipe.

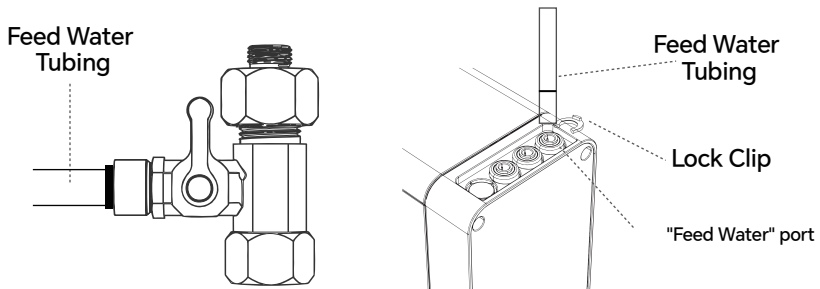


- 3 Thread red tubing through drain saddle into drainage pipe 0.6".
- 4 Secure the drain saddle with screws

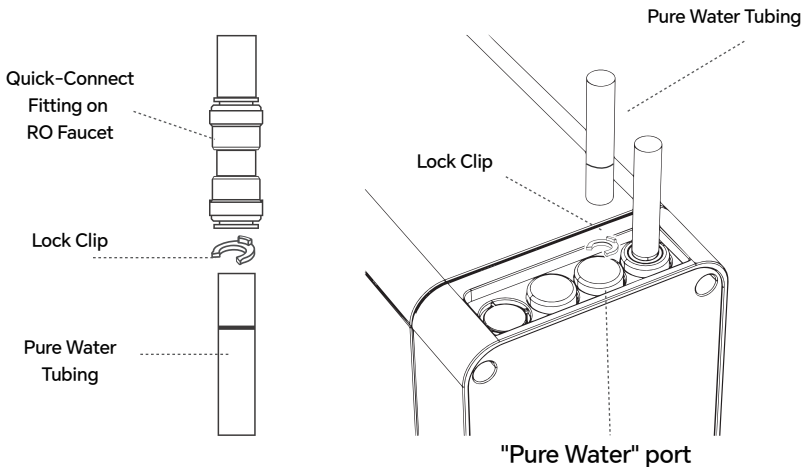


Step 4. Connect Water Tubings

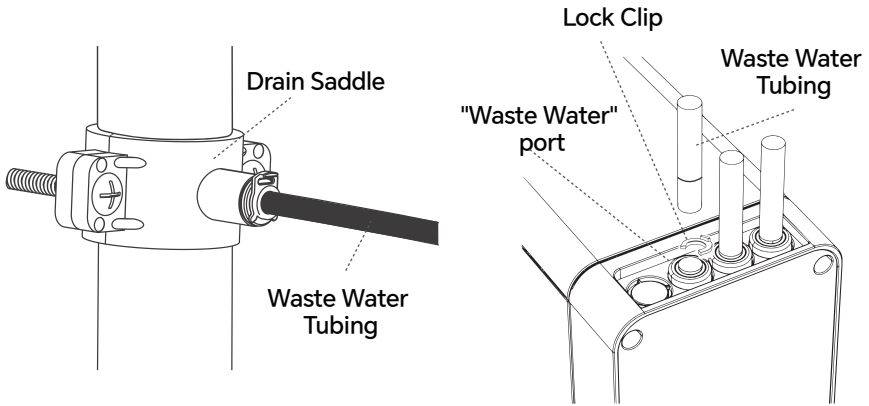
- 1 Remove the dust plug before connecting the hose.
- 2 Remove the dust plug before connecting the hose.
Connect blue tubing from "Feed Water" port to the feed water adapter.
Attach the lock clip to secure.



- 3 Connect white tubing from "Pure Water" port to the the RO faucet.
Attach the lock clip to secure.

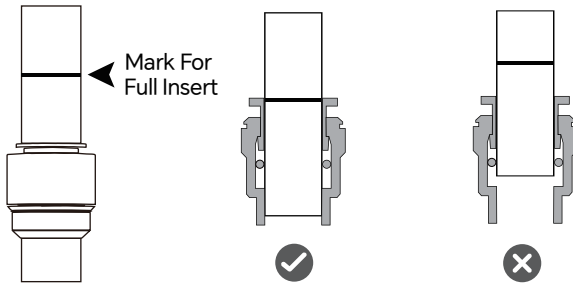


- 3** Connect red tubing from "Waste Water" port to the drain saddle. Attach the lock clip to secure.

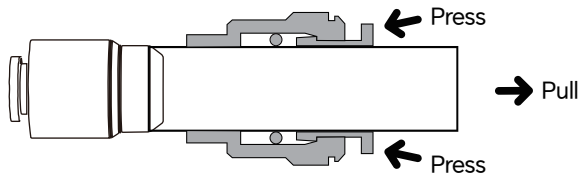


NOTE:

Make sure the tubings are fully inserted.



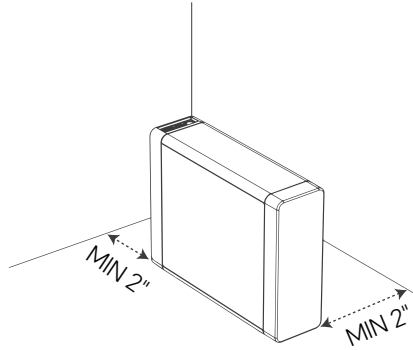
Disconnect the tubing: Press down on the lock sleeve and pull the tubing out.



Step 5. Position the RO Water System

- 1 Organize the tubings and power cord.
- 2 Place the water system beneath a spacious countertop.

NOTE: DO NOT position directly against cabinets.



Step 6. Check the System

- 1 Turn on the valve of cold-water supply and feed water adapter.
- 2 Check for any leaks.
- 3 If there are no leaks, you can start up your water system.

INSTALLATION GUIDE

