

PRASKY

8 IN 1 Electric Cleaning Brush



User Manual

Model: WS105

CUSTOMER SERVICE & WARRANTY

Dear customer, we're thrilled to welcome you to the Prasky family and we'd like to thank you for purchasing our product. We're proud to serve you as our customer and hope you get the most out of your purchase.

Prasky offers a 1-year warranty + 30 days return/exchange policy + lifetime support for this product.

We will provide the best service for our brand customers.

If you don't like it,

If you have a user manual problem,

If you have missing accessories,

If your package got damaged.

If the product can't be used,

If you want to extend the warranty for more than 1 year, If you have any questions or feedback,

Don't hesitate to get in touch with our brand support team at:

✉ support@praskylife.com

🌐 praskylife.com

📞 1-866-228-7981

In order to help you solve the problem efficiently, please send us the following information when you contact us.

*Amazon order number

*A brief description of the problem: problem + the efforts you tried + photos/video

Contents

Safety Instructions	01
Product Introduction	02
Product Parameters	02
Package Contents	03
Suggestions for Use of Accessories	04
How to Use	05
How to Charge	07
How to Clean	07
Trouble Shooting	08

IMPORTANT SAFETY INSTRUCTIONS

READ AND FOLLOW ALL SAFETY INFORMATION AND INSTRUCTIONS FOR FUTURE REFERENCE.

Safety Instructions

Caution: When using electrical appliances, basic safety precautions should always be followed, including the following:

1. Do not operate this product near flammable and explosive substances.
2. Please check if the brush head is firmly installed before use, do not shake or swing the product violently.
3. When using this product with irritating substances, please wear eye protection and gloves to prevent the splash of dirt on the human body.
4. Do not insert any accessories when the machine is in operation.
5. Do not immerse the entire spin scrubber in water.
6. Do not attempt to remove the battery under any circumstances. If the product shell is broken, stop using it and do not charge it.
7. Use the USB charging cable supplied with the product for charging, and use an adapter with safety certification that matches the model of the device. When charging, the input charging voltage cannot exceed 15% of the rated voltage.
8. Please keep away from heat, oil, or flammable and explosive substances when charging.
9. If charging is complete, please disconnect the charger from the device and remove the charger from the power socket. The continuous charging time should not exceed 12 hours.
10. This product uses a built-in battery that cannot be removed. Please do not replace the battery by yourself to avoid damaging the battery or the device.

Product Introduction

This product is a hand-held electric cleaning brush, mainly used for cleaning household surfaces. The working principle is to use the motor to drive the brush head to rotate, to wipe off the stains on the surface that needs to be cleaned.

Main features:

1. Multiple brush heads, easy to install, different brush heads are suitable for all kinds of places that need to be cleaned.
2. The main engine of the brush is made of environmentally friendly plastic material, which is durable, environmentally friendly and comfortable; the telescopic tube is made of stainless steel.
3. Rechargeable and recyclable; low-voltage operation makes the product safer.

Product Parameters

Adapter parameters	Input 5V $\overline{=}$ 1A /2A
	Output DC 5V
Input rated voltage	3.7V DC
Running time after fully charged	Approx.80-120min
Charging time	\leq 4H
Main Scrubber	9.8inches
Adjustable Length	31.5 & 42inches
Built-in lithium battery	3.7V/2200mAh
Waterproof grade	IPX7

Package Contents



Large Flat Brush



Small Flat Brush



Pointed Brush



Cloth Brush



Imitation Wool Brush



Sponge Brush



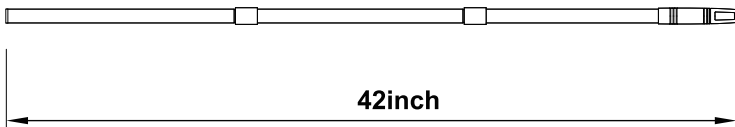
Fiber Brush



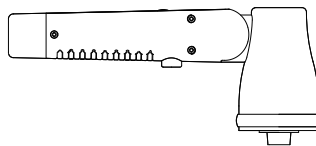
Brush Head Holder



USB-C Charging Cable



Extension Rods



Spin Scrubber

Suggestions for Use of Accessories



Large Flat Brush

Which can be used to clean larger areas, such as bathtubs, floors, stoves, walls, and glass.



Small Flat Brush

The small flat brush is suitable for cleaning bathtubs, sinks and washstands.



Pointed Brush

Ideals are suitable for cleaning smaller areas such as corners, gaps, cracks, and other corners more difficult to clean.



Sponge Brush

Suitable for waxing floors, cars, furniture, etc.



Fiber Brush

Suitable for kitchen, stove tops, range hoods, and other particularly difficult-to-clean places. BBQ, dish, and other surfaces.



Cloth Brush

Use for living room floor, glass, coffee table and car surface cleaning and polishing.



Imitation Wool Brush

Use for the sofa, leather bag, leather coat and car polishing.

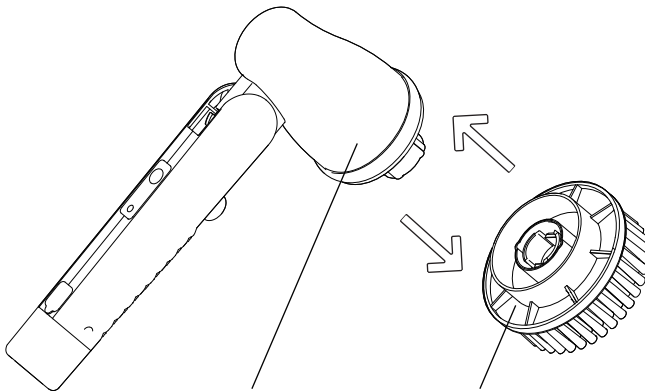
How to Use

1. Press ON/OFF for the first time, and the low gear of the machine will work, and the green light will be on for a long time;
2. Press ON/OFF for the second time, the high gear works;
3. Press ON/OFF for the third time to shut down and turn off the light;
4. When the light is red, it is lack of power below 10%, the motor stops when the power is exhausted and the red light goes off;
5. The light flashes green when charging, and stays green when fully charged;
6. When blocking rotation: the yellow light flashes rapidly (2 times/second) and goes off after 5 seconds.
7. The brush head in rotation, may be due to the different angle between the surface of the brush head and the cleaning surface, the brush head uneven force, so that the brush head to the left or to the right side of the slide, it is not easy to control the direction. Try to keep the surface of the brush head and the cleaning surface parallel to each other when using, which can effectively avoid side sliding.

How to assemble the brush heads?

Select the appropriate brush head according to the cleaning requirements.

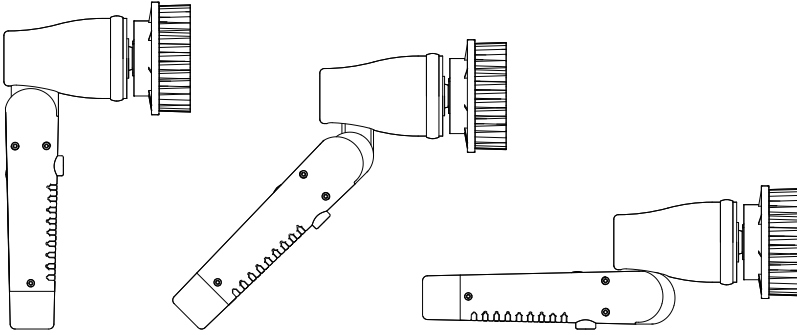
Note: Before assembling any component of this product, make sure the unit is turned off, then make sure the brush head is firmly installed.



Spin Scrubber

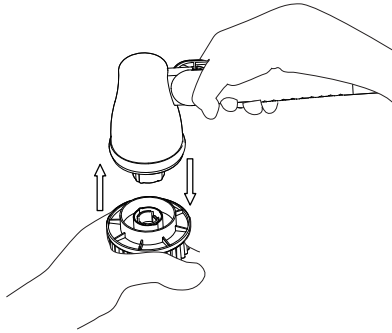
Brush Head

The angle of the cleaning brush head can be adjusted, there are 90° 45° 0° three angles that can be adjustable to adapt to different use environments and spaces.



How to pull out the brush head?

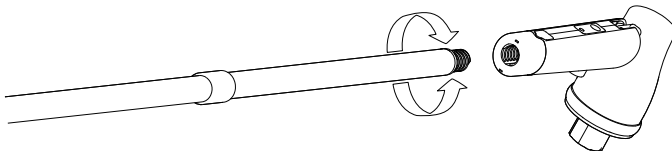
Hold the connection part of the brush head and pull it out vertically.



How to install the extension tube?

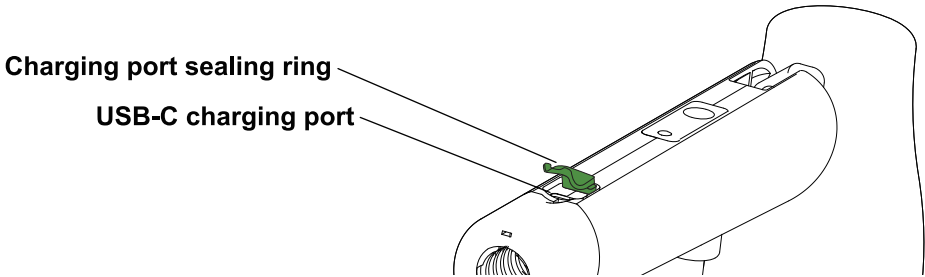
Screw the threaded end of the telescopic rod into the threaded hole of the host of the cleaning brush, and twist until tightened.

Note: Make sure that the telescopic rod and the host are not loose before use.



How to Charge

Open the silicone charging cover and insert the USB for charging, make sure it is fully inserted. Next, plug the adapter into the electrical outlet.



1. When the spin scrubber is being charged, the indicator will flash Green color.
2. When the spin scrubber is fully charged, the indicator will stay Green color.

Notice: Please remove the adapter in time when fully charged.

How to Clean

Handle part

Gently wipe the handle part of the scrubber with a wrung soft cloth.

Brush head

Disassemble the brush head and immerse it in the water to clean it. Clean it with neutral detergent if it is difficult to clean. Brush Head can be soaked in water.

Cleaning tips

1. For a better cleaning effect, it is recommended to use the brush with detergent (such as Mold & Mildew Remover, water strain Remover, oven cleaner, Bleach cleaner, or All Purpose Cleaner). You could use different detergents for different needs.
2. For removing stubborn stains, please soak stains in water and detergent for a while, and then use the scrubber to clean, it will shorten your cleaning time.

Suggestion for storage

Store the scrubber in a ventilated and shaded place. Avoid placing it in a wet place or being exposed to strong sunlight.

Trouble Shooting

Why doesn't the green indicator flash while charging?

1. Check if the USB cable was inserted into the bottom.
2. Check if the charging socket is abnormal or power outage.
3. If the indicator light is green after plugging in the adapter, the product is fully charged, just turn it on to use.
4. If none of the above reasons, please contact our customer service via email: support@praskylife.com

The charging indicator light doesn't turn to stay green after charging for over 5 hours.

1. Please check whether the socket and charging connection are loose, plug them tightly before charging.
2. If the product is immersed in water during use, it will damage the internal circuit and cause abnormal charging.
3. If neither of the above 2 conditions, please contact our customer service via email: support@praskylife.com

Why does the brush head stop spinning while working?

1. The yellow light flashes for 5s and then stops, it may be that the user presses the brush head too hard to cause the product to stop automatically in the protection state. Only switch the ON/OFF button once or twice to return to normal.
2. If the light is red, it means that the product is in a low battery, and it needs to be fully charged before use.
3. If not the above conditions, the spin does not resume after pressing the ON/OFF button twice, please contact our customer service via email: support@praskylife.com

Why does the charging indicator turn green (representing a full charge) but the brush head does not spin after being turned on?

1. Please check whether the brush head is tightly connected to the extension rod and handle. For the connection method, refer to the installation guide.
2. If it has been well-connected and the product has not been soaked completely in water before, but the scrubber does not spin after turning on or it stops spinning without pressing the brush head too hard, please contact our after-sales customer service via email: support@praskylife.com

Why does the brush head spin for less than 80 minutes or not work after pressing the ON/OFF button twice when the battery is fully charged?

1. Each user will use different force during use. If you keep pressing the brush head too hard, the working time will be less than 80 mins. In order to prolong the use time, please don't press the brush head too hard, and frequently press it too hard will break the brush head.
2. If you use the high gear continuously, it will consume power faster.

Maintenance

1. If you do not use this product for a long time, please charge it at least once a month.
2. After use, please clean the body and tube with a dry cloth, wipe off the water, and let it dry naturally.
3. Forbidden to cover strong corrosive liquid on the surface.
4. Do not bake this product with high-temperature fire.
5. After using the cleaning accessories, please let them dry naturally.

Warm Tips

1. Allow for transportation safety, the product you obtained is not fully charged please fully charge the product before first use.
2. Before using the scrubber, be careful not to get splashing stains into your eyes or on your skin.
3. Please check whether there are any missing parts after receiving the product.
4. Please make sure that the scrubber is well-assembled before use. When changing accessories, please make sure to turn off the machine first.
5. Small scratches may occur when cleaning the surface of stainless steel, polished resin, artificial marble, wood, etc, please try to confirm beforehand. Please try it out in a small area and make sure that there are no abnormalities before cleaning.
6. Brushes are consumable which does not apply to the warranty.
7. Please keep the power cord plug and hands dry to avoid the risk of electric shock.
8. Do not disassemble, repair, or modify internal parts by yourself, please contact us if you have quality problems.
9. Always use proper eye protection when using the power scrubber with irritating substances. Rubber gloves are also recommended.
10. Keep the hair, cloth, or other parts of your body away from the brush head to avoid convolving.

PRASKY

Learn more about Prasky, please visit us at

praskylife.com 




Support online chat

 24/7 SUPPORT

 support@praskylife.com

 praskylife.com

 1-866-228-7981



Made in China

尺寸: 宽150*高210MM

材质: 105克铜

日期: 2024/02/26

版本号: V1.0

